

ORBIWELD 25 GC

Micro weld head
with robust
clamping mechanism

Micro weld head

With its slim design, seamless parts supply thanks to fast customer service and proven compatibility with existing systems, the ORBIWELD 25 GC sets standards in high-precision tube welding. Specially developed for the semiconductor industry, it enables the simple, fast and reliable welding of thin-walled tubes - even in confined spaces.

Compatibility with market standards makes it easy to switch to the latest Orbitalum technology



Extremely narrow design for use in confined spaces, e.g. in the semiconductor industry



Removable clamping cassettes especially for inline assembly or prefab production of modules



For small tube diameters 6.0 mm - 34.0 mm (0.236" - 1.339")



Integrated control panel for controlling the power source



Compact, powerful and versatile - the ORBIWELD 25 GC, or OW 25 GC for short, impresses with its slim design and state-of-the-art technology for demanding welding tasks in the semiconductor industry. The "GC" stands for the integrated gas cooling system, which ensures optimum cooling for intensive applications.

The OW 25 GC was specially developed for applications that require maximum precision in the tightest of spaces. With its slim design and modular construction, it is the ideal solution for semiconductor production and similar industries. Thanks to the integrated gas cooling, the system remains reliable and powerful even during intensive use - for consistently high welding quality with short cycle times.

Thanks to its high compatibility with standard clamping cassettes, the OW 25 GC can be seamlessly integrated into existing systems.

Its clamping cassette has been specially optimized for inline assembly and for the prefab production of modules so that pipes can be positioned easily and precisely.

It is controlled directly via the integrated control panel in the handle, allowing all important welding functions to be adjusted quickly and conveniently - no additional operator is required at the welding power source. An LED display provides information on the current operating status and thus ensures maximum process control.

Thanks to the electrode setting gauge supplied, precise welding joints are possible with minimal effort. In addition, the pipe center gauge attached to the cassette ensures that the pipe joint is perfectly aligned - for consistent and repeatable weld seams.

The OW 25 GC is suitable for pipe diameters from 6.0 mm - 34.0 mm (0.236" - 1.339") and, thanks to its high load capacity, enables a long duty cycle with minimal electrode wear.



Robust, compact and handy design.



Integrated control panel - this means that all commands important for welding can be transmitted to the power source, so that no additional remote control is required.



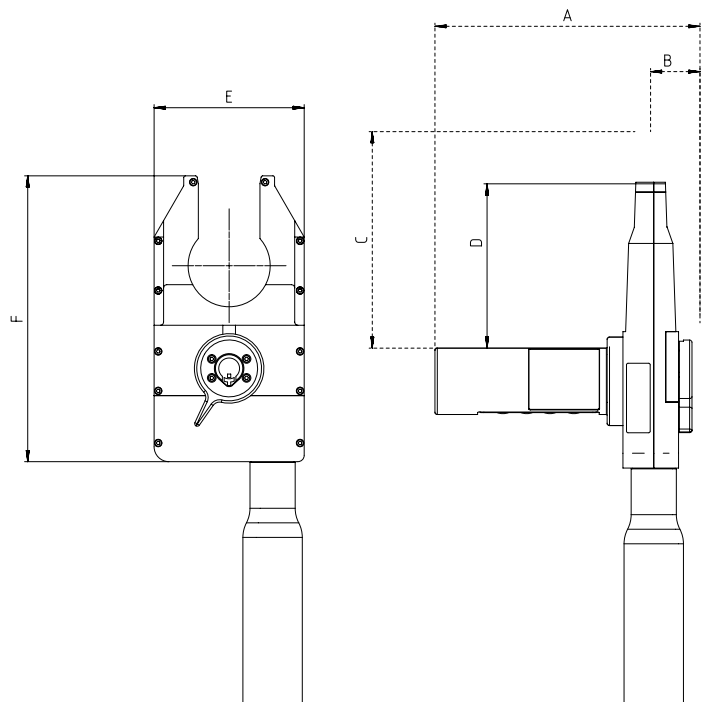
A captive pipe center gauge attached to the clamping cassette ensures the exact positioning of the pipe joint to be welded.

APPLICATION AREA		ORBIWELD 25 GC
Code		819 000 001
Pipe OD, min. - max.		6,0 - 34,00 mm 0.236 - 1.339 in
Electrode diameter		1,6 / 2,4 mm 0.063 / 0.094 in
Machine weight including hose package		6,0 kg 13.23 lbs
Hose package length		7,5 m 24.6 ft
SCOPE OF DELIVERY		
Including:	<ul style="list-style-type: none"> • 1 x micro weld head ORBIWELD 25 GC • 1 x transport case • 1 x tool set • 1 x lectrode setting gaugee • 1 x afety clamp hose assembly • 1 x general safety instructions • Operating instructions and spare parts list (PDF) 	
Suitable accessories (optionally available):	<ul style="list-style-type: none"> • Clamping cassette for OW 25 GC • Clamping inserts zu OW 25 GC • ESG electrode grinders • ORBmax residual oxygen meter • Hose package extensions • WS2 tungsten electrodes 	



DIMENSIONS		
ORBIWELD 25 GC	DIMENSION	
	[MM]	[INCH]
A	167,77	6.605
B	31,27	1.231
C	137,04	5.395
D	104,01	4.095

Technical specifications are non-binding. They do not constitute any assurance of properties. We reserve the right to make changes.





OW 25 GC

Micro weld head OW 25 GC

ORBIWELD 25 GC

Properties, application area, technical specifications and delivery scope, see page 2.

Clamping inserts are not included in the scope of delivery (see page 4).

ITEM	CODE	MACHINE WEIGHT KG*	SHIPPING WEIGHT KG
Micro weld head OW 25 GC	819 000 001	6,000	13,200

* Machine weight including hose package

Suitable accessories (optionally available):

- Clamping cassette OW 25 GC, see page 3
- Clamping inserts OW 25 GC, see page 4

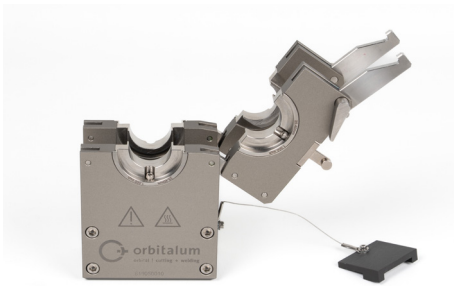
Clamping cassette for OW 25 GC

Made of hard-anodized aluminium. Removable clamping cartridge specifically for inline assembly or prefab production of modules. For the mounting of clamping inserts. An insertion gauge which is permanently attached to the cassette and thus cannot be lost ensures precise positioning to the tube joint to be welded. The clamping cartridges are supplied in a rugged, lockable plastic box.

Scope of delivery:

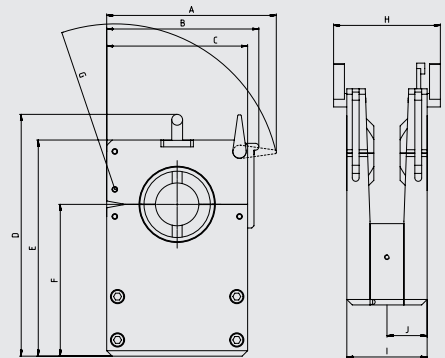
- 1 x insertion gauge
- 1 x cassette alignment gauge
- 1 x hexagon wrench 3/32"
- 1 x hexagon wrench 5/32"
- 1 x plastic box

Suitable clamping inserts for different pipe diameters must be ordered separately.



Clamping cassette for OW 25 GC
(Clamping inserts are not included in the scope of delivery)

DIMENSIONS	[MM]	[INCH]
Dimension "A"	99,34	3.911
Dimension "B"	89,1	3.508
Dimension "C"	82,55	3.25
Dimension "D"	141,63	5.576
Dimension "E"	126,6	4.984
Dimension "F"	88,91	3.500
Dimension "G"	120 °	120 °
Dimension "H"	62,54	2.462
Dimension "I"	47,04	1.852
Dimension "J"	23,52	0,926



* Does not apply to angle G

ITEM	CODE	KG
Clamping cassette OW 25 GC	819 050 010	1,00

CLOSED ORBITAL WELD HEADS

Clamping inserts for OW 25 GC

A clamping insert consists of 2 half shells.

Per clamping side of the clamping cassette you require 1 clamping insert (= 2 half shells). Thus you have to use 2 clamping inserts (=4 half shells) per clamping cassette.

Further dimensions on request.



Clamping insert for OW 25 GC 4-part

IMPERIAL			IMPERIAL METRIC		
PIPE-OD		CODE	PIPE-OD		CODE
[MM]	[INCH]		[MM]	[INCH]	
6,35	1/4	819 002 201	6,00	0.236	819 002 209
7,94	5/16	819 002 202	10,00	0.393	819 002 210
9,53	3/8	819 002 203	14,00	0.551	819 002 211
12,70	1/2	819 002 204	18,00	0.709	819 002 212
15,88	5/8	819 002 205	22,00	0.866	819 002 213
19,05	3/4	819 002 206	27,20	1.071	819 002 214
22,20	7/8	819 002 207	30,00	1.181	819 002 215
25,40	1	819 002 208	34,00	1.339	819 002 216

Other accessories for orbital welding

- ESG electrode grinders
- ORBmax residual oxygen meter
- Hose package extensions
- WS2 tungsten electrodes
- Welding current connection adapter set