

# Accessories for GF machines





GF TOP



GF LUB



Special gear oil

## Accessories for GF machines

### Saw blade lubricant GF TOP

**Synthetic high quality lubricant for sawing and milling.**

Increases the service life of the saw blade.

Fulfills the requirements for H2 lubricants.

Thanks to the screw-on brush, simple and even lubrication of the saw blade is ensured.

ITEM	VERSION	CODE	KG
Saw blade lubricant GF TOP	Tube, 180 g	<b>790 060 228</b>	0.205

### Saw blade lubricating paste GF LUB

**Chlorine-free high quality lubricant for sawing and milling.**

Increases the service life of the saw blade.

The ecological lubricating paste is the environment-friendly successor of ROCOL; with new name and improved quality.

GF LUB complies with latest environmental guidelines and ecological standards.

ITEM	VERSION	CODE	KG
Saw blade lubricating paste GF LUB	Tube, 160 ml	<b>790 041 016</b>	0.160

### Special gear oil

**For all GF and RA types.**

ITEM	VERSION	CODE	KG
Special gear oil	Bottle, 250 ml	<b>790 041 030</b>	0.235

## Replacement cable with rotary contact

Prevents twisting of the cable.

For all GF, GFX, RA and PS machines with protection class II.

ITEM	VERSION	CABLE LENGTH		CODE	KG
		[M]	[FT]		
Swivel cable complete	230 V, 50/60 Hz EU	4	13.12	<b>790 142 081</b>	0.680
Swivel cable complete	120 V, 50/60 Hz US/CA	4	13.12	<b>790 142 082</b>	0.654
Swivel cable complete	230 V, 50/60 Hz CH	4	13.12	<b>790 142 083</b>	0.595
Swivel cable complete	230 V, 50/60 Hz AU	4	13.12	<b>790 142 084</b>	0.655
Swivel cable complete	120 V, 50/60 Hz GB	4	13.12	<b>790 142 087</b>	0.740
Swivel cable	230 V, 50/60 Hz EU	4	13.12	<b>790 142 076</b>	0.560
Swivel cable	120 V, 50/60 Hz US/CA	4	13.12	<b>790 142 077</b>	0.740
Swivel cable	230 V, 50/60 Hz CH	4	13.12	<b>790 142 078</b>	0.520
Swivel cable	120 V, 50/60 Hz GB	4	13.12	<b>790 142 079</b>	0.630
Swivel cable	230 V, 50/60 Hz AU	4	13.12	<b>790 142 080</b>	0.560



Swivel cable complete



Swivel cable

## Quick-mounting plates with screw clamps

For fast mounting of the machines on workbenches.

Ideal for frequently changing operation locations.

ITEM	CODE	KG
Quick-mounting plate for GFX 3.0, RA 2, RA 21 S	<b>790 041 027</b>	4.230
Quick-mounting plate for GF 4, GF 6, GFX 6.6, RA 4, RA 6, GF 8, RA 41 Plus	<b>790 042 027</b>	6.165
Quick-mounting plate for PS 4.5, PS 4.5 Plus and PS 6.6	<b>790 048 334</b>	2.600



Quick-mounting plate with screw clamps

## Mobile workstation

For mobile construction site and workshop use.

The ideal supplement for all Orbitalum pipe saws (excluded PS 4.5 Plus).

### Advantages:

- Safe transport of the machines to the construction site
- Flexible work on the respective work stations
- Elimination of setup times, e.g. mounting the pipe saw on workbenches
- Height-adjustable roller pipe support with stainless steel roller for supporting the pipes
- Lockable toolbox with 4 compartments for tool and accessories
- Threaded lifting table to adjust the height of the machines to the respective pipe dimension
- Collection tray for chips



Mobile workstation

TECHNICAL SPECIFICATIONS	MOBILE WORKSTATION
Dimensions (LxWxH)	115 x 43 x 91 cm 45.3" x 16.9" x 35.8"
Load capacity max.	675 kg 1488.1 lbs

ITEM	CODE	KG
Mobile workstation	<b>790 068 071</b>	137.000

### PIPE CUTTING AND BEVELING TECHNOLOGY



Pipe feeder basic unit



Pipe feeder extension unit

## Pipe feeder basic unit and extension unit

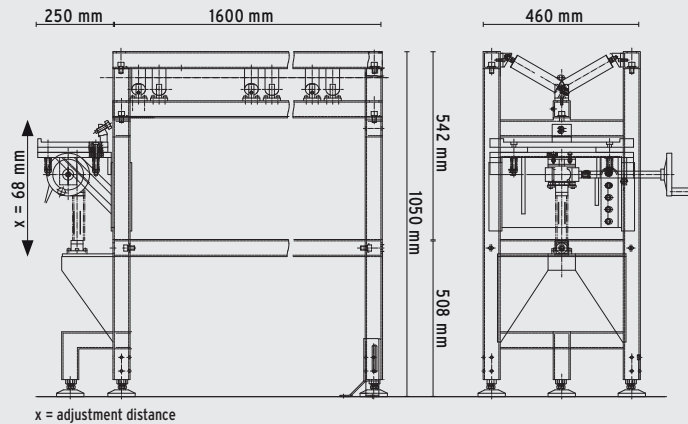
The pipe feeder allows you to feed long and heavy pipes effortlessly and coaxially to the GF machines. Very robust and stable design with powder-coated frame and stainless steel rollers.

### Advantages:

- Extreme stability and structural stability
- Rapid adjustment of dimensions
- Centering of pipes in seconds
- Specially coated, maintenance-free steel frame
- Stainless-steel rollers
- Extension of pipe feeder possible with add-on module
- Saves time and money
- Suitable for all steels

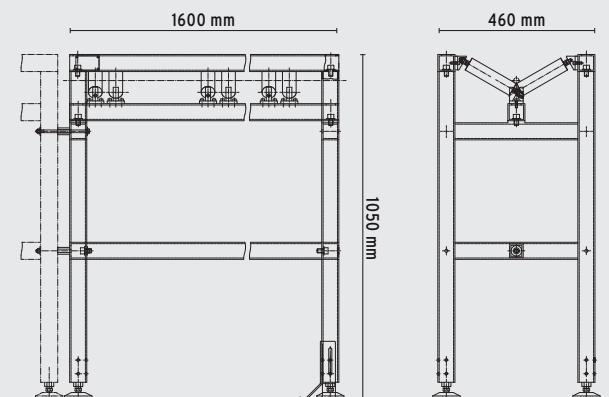
### Basic unit:

Fitting for all pipe cutting and beveling machines by Orbitalum Tools (excluded GFX 3.0 and PS 4.5 Plus). The machines can be mounted directly and without special accessories on the mounting plate of the basic unit. Thanks to mechanical height-adjustment by means of a handwheel, the machine can be easily adjusted to the outer diameter of the pipe to be cut. The machine is spring-loaded on the mounting plate.



### Extension unit:

For individual extension of the basic unit. Can be connected directly to the basic unit.



### Floor bracket assembly:

For attaching the basic and extension unit to the floor. The assembly consists of 4 bracket elements and 8 screws with flat washers.

## PIPE CUTTING AND BEVELING TECHNOLOGY

APPLICATION AREA/ TECHNICAL SPECIFICATIONS	PIPE FEED BASIC UNIT	PIPE FEED EXTENSION UNIT
Pipe OD	16 - 325 mm 0.63" - 12.8"	16 - 325 mm 0.63" - 12.8"
Dimensions approx.	185 x 105 x 50 cm 72.8" x 41.3" x 19.7"	Approx. 160 x 105 x 50 62.9" x 41.3" x 19.7"
Load capacity max.	400 kg 881.8 lbs	400 kg 881.8 lbs
Height-adjustable quick-mounting plate (adjustment distance)	68 mm 2.68"	- -

ITEM	CODE	KG
Pipe feeder basic unit	<b>790 068 051</b>	116.000
Pipe feeder extension unit	<b>790 068 061</b>	72.000
Floor bracket assembly	<b>790 068 053</b>	1.900