

# ORBIWELD X

## Closed orbital weld head

Intelligent, closed  
orbital weld head

The new generation of intelligent orbital weld heads - the OWX weld heads mark a significant advance in orbital welding technology. As the successor to the well-known OWS series, the OWX heads offer a wide range of innovative functions that make orbital welding more efficient and user-friendly. They impress with their simple handling, reliable performance and maintenance-friendly design. The weld heads are also compatible with all Orbitalum power sources and clamping shells.

The OWX welding head sets new standards for orbital welding comfort.

## Illuminating the Future of Orbital Welding



**As the follow-up to the OWS series, the OWX weld heads offer a wide range of innovative developments. The slim and futuristic design, combined with the latest smart features, make the OWX heads a must-have in modern pipeline construction.**

### Simple operation

The OWX weld head is equipped with an ergonomic handle and an optimized clamping mechanism. The flip cover with viewing window and the integrated LED lighting inside the weld head make it easier to visually align and check the position of the pipes. The weld head has a mechanical mounting interface to enable easy integration into fixture construction. In addition, simple and intuitive operation of the weld head is made possible by an operating unit integrated into the aluminum handle shell.

### Modern smart features

The operating unit of the OWX is equipped with a display that has smart functions. For example, welding programs marked as favourites can be selected directly from the head. The progress is visualized during the welding process. A gyro sensor is also installed in the weld head, which precisely determines the position of the weld head and enables automatic positioning of the electrode to the programmed start position. A temperature sensor also monitors the weld head during the entire welding process. The full functionality is only available with the Smart Welder and Mobile Welder generations.

### Easy to service and maintain

The OWX welding head was designed for quick and easy maintenance. Thanks to its service-friendly design, gearbox maintenance can be carried out in just 15 minutes - without long waiting times for external repairs or dispatch. The gearbox compo-

nents are easily accessible for maintenance with minimal use of tools, reducing downtime and maximizing operational reliability.

### Compatible with Orbitalum products

For maximum flexibility, the OWX weld heads are compatible with all Orbitalum power sources as well as OWS clamping shells and electrode adapters.

### OPTIONAL: Table mount for greater safety

The OWX table mount offers a stable and secure attachment of the weld head at the workplace. As it is flexible, it can be used for temporary storage or permanent mounting. The bracket allows the weld head to be positioned both parallel and perpendicular to the mounting surface (page 3).

## Technical highlights and range of accessories (optionally available):



Control unit with display integrated in the aluminum handle.



Sturdy aluminum table mount for fastening to the edge or surface of the table.



Universal central mechanical fixing interface for drop protection

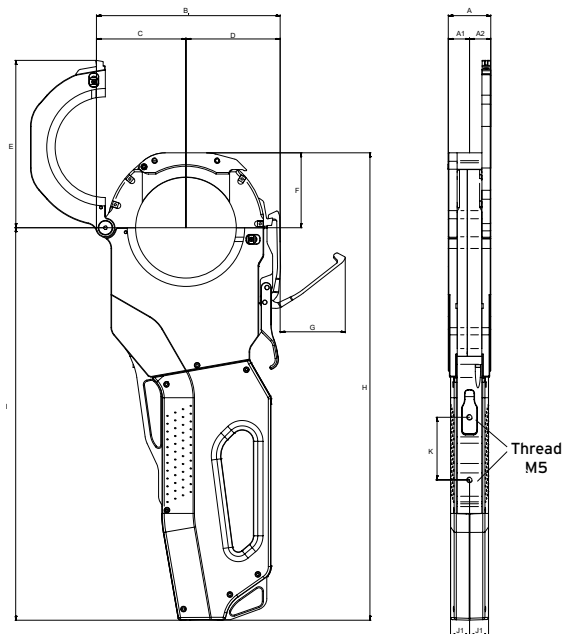
APPLICATION AREA	ORBIWELD X 3.0
Code	837 000 001
Pipe OD, min. - max.	6,00 - 77,00 mm 0.250" - 3.000"
Electrode diameter	1,6/2,4 mm 0.063"/0.094"
Machine weight including hose package	8,50 kg 18.739 lbs
Hose package length	7,5 m 24.6 ft
SCOPE OF DELIVERY	
Including:	<ul style="list-style-type: none"> <li>• 1 ORBIWELD X 3.0 orbital weld head</li> <li>• 1 OWX 3.0 transport case (code 837 030 010)</li> <li>• 1 OWX tool set (code 836 030 001)</li> <li>• Operating instruction and spare parts list</li> <li>• General safety instructions</li> </ul>
Suitable accessories (optionally available):	<ul style="list-style-type: none"> <li>• Clamping inserts for Orbiweld, Orbiweld S and ORBIWELD X</li> <li>• Chamber inserts for molded parts</li> <li>• Inserts for arc welding</li> <li>• T-piece clamping inserts</li> <li>• Electrode adapters</li> <li>• Table mount</li> <li>• ESG electrodegrinders</li> <li>• ORBmax residual oxygen meter</li> <li>• ORBIPURGE forming set</li> <li>• Hosepack extensions</li> <li>• Double pressure reducer</li> <li>• WS2 Tungsten electrodes</li> </ul>



ORBIWELD X 3.0

ORBIWELD X 3.0				
DIMENSIONS	DIMENSION		ELECTRODE GAP CLAMPING INSERT*	
	[MM]	[INCH]	[MM]	[INCH]
A	38,00	1.496	38,00	1.496
A1	19,00	0.748	19,00	0.748
A2	19,00	0.748	19,00	0.748
B	164,27	6.467		
C	80,03	3.151		
D	84,24	3.317		
E	149,64	5.891		
F	67,00	2.638		
G	58,20	2.291		
H	417,99	16.456		
I	351,00	13.819		
J1	17,00	0.669		
J2	17,00	0.669		
K	56,00	2.205		

\* 2 pairs



Technical specifications are non-binding. They do not constitute any assurance of properties. We reserve the right to make changes.

## Closed orbital weld head OWX

### ORBIWELD X 3.0

Properties, application area, technical specifications and delivery scope, see page 2.

Clamping inserts are not included in the scope of delivery.



ORBIWELD X 3.0

ITEM	CODE	MACHINE WEIGHT KG*	SHIPPING WEIGHT KG
Orbital weld head OWX 3.0	837 000 001	8,50	16,50

\* Machine weight including hose package



Table mount OWX

### Table mount OWX

The aluminium table mount (anodized) with its quick-release clamp enables convenient and secure positioning and fixing of ORBIWELD X-series weld heads. It can be clamped to the edges of worktops, screwed onto worktops or integrated into alternative fastening systems. The base can also be offset by 90° on the mounting bracket, which provides additional flexibility.

#### TECHNICAL DATA

Dimensions (lxbxh*)	138 x 108,5 x 83,2 mm 5.4" x 4.27" x 3.28"
Clamping range (from bottom surface of table to maximum extended screw clamp)	max. 65 mm / 2.56"
Weight	1,184 Kg

ITEM	CODE	KG
Table mount OWX	836 030 200	1,18

### Suitable accessories (optionally available):

- Clamping inserts for ORBIWELD, ORBIWELD S and ORBIWELD X
- Inserts for arc welding
- T-piece clamping inserts
- Electrode adapters
- Welding current connection adapter set